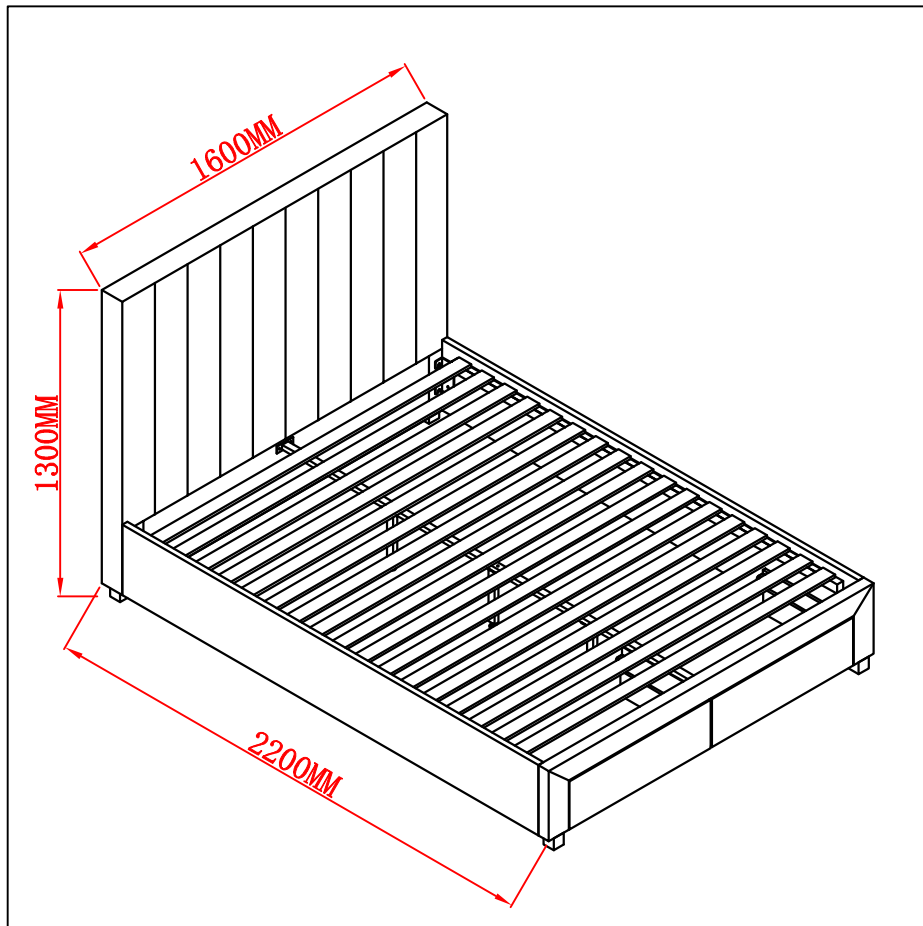




ASSEMBLY INSTRUCTION CORBIN QUEEN BED

ITEM CODE 80221

Imported by Amart Furniture Pty Ltd, Qld, Brisbane Australia.
For any assistance with assembly or for missing parts please phone
Amart furniture, Customer Service Free call 1800 351 084

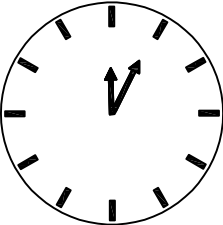
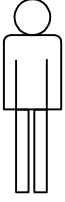



Imported by Amart Furniture Pty Ltd, Qld, Brisbane Australia.
For any assistance with assembly or for missing parts please
phone Amart Furniture, Customer Service Free Call
1800 351 084

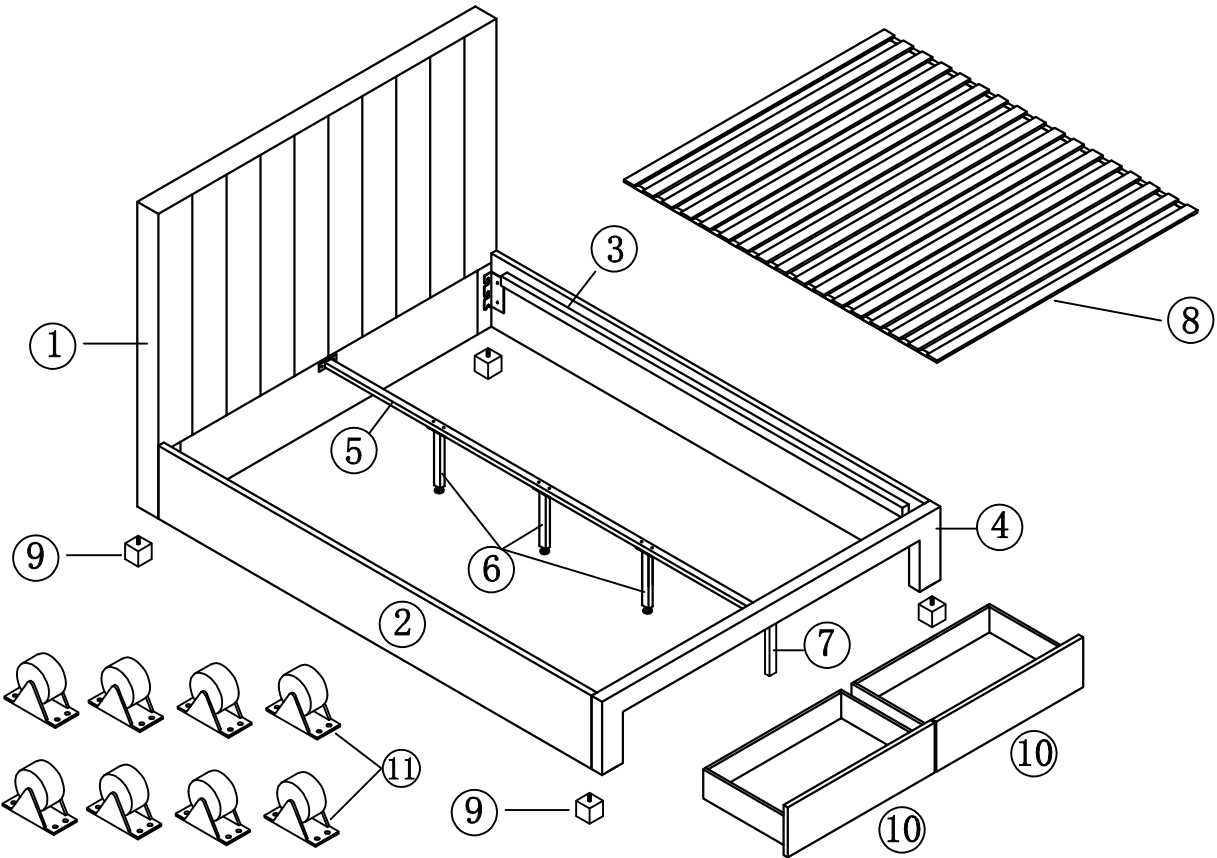
PRE-ASSEMBLY PREPARATION



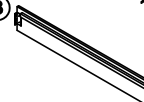
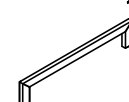
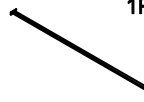

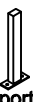

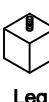


Before you start:









1. Choose a clean, level, spacious assembly area. Avoid hard surfaces that may damage the product
2. Take care when lifting. Product should be assembled as near as possible to the point of use
3. Ensure that you have all required contents for complete assembly
4. Always read the assembly instructions carefully before beginning assembly
5. Keep all hardware parts and packaging out of small children
6. Do not over tighten the screws and bolts as this may damage the threads

		
ALLOW 30 MINUTES	2 PEOPLE REQUIRED	ADDITIONAL TOOLS REQUIRED

PARTS LIST

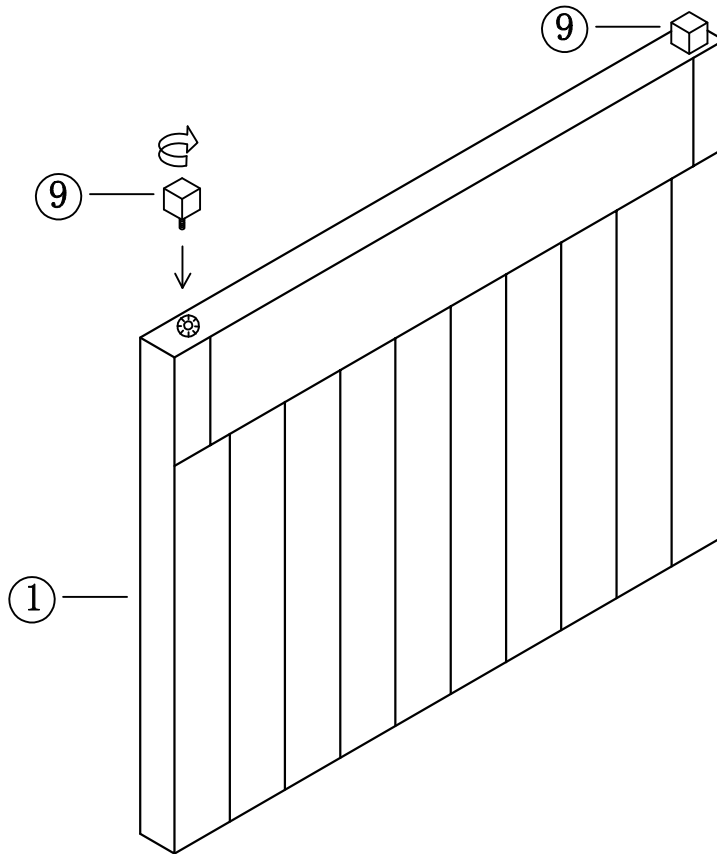


①  1PCS Headboard	②  1PCS Left Rail	③  1PCS Right Rail	④  1PCS Footboard	⑤  1PCS Center slat rail	⑥  3PCS Support leg
⑦  1PCS Support leg	⑧  1PCS Slat	⑨  4PCS Leg	⑩  2PCS Footboard Drawer	⑪  8PCS Pulley	

Ⓐ M8X19mm x12pcs  Flat washer	Ⓑ M5X100mm x1pcs  Allen key	Ⓒ M12mm x1pcs  Wrench	Ⓓ M8x12mm x6pcs  Nut	Ⓔ M8X40mm x6pcs  Bolt	Ⓕ M8X30mm x4pcs  Bolt
Ⓖ M8X20mm x2pcs  Bolt	Ⓗ M4X15mm x 32pcs  Screw				

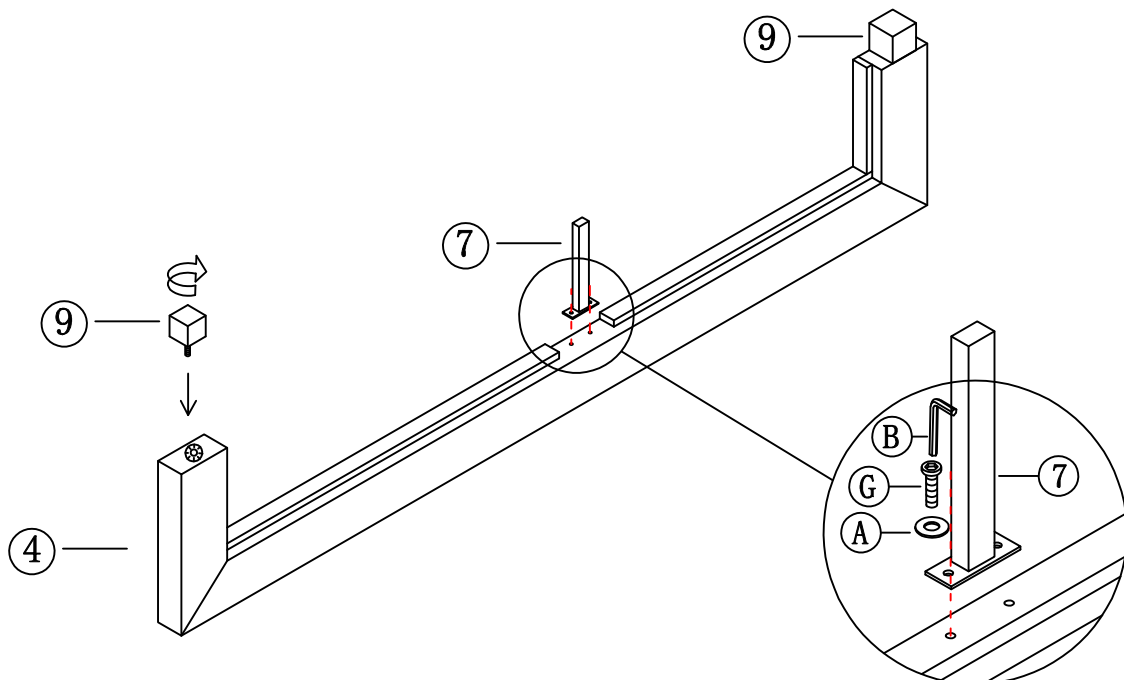
STEP 1

Align the leg (9) to the screw hole of the headboard (1) and tighten. Be careful to not over tighten leg.



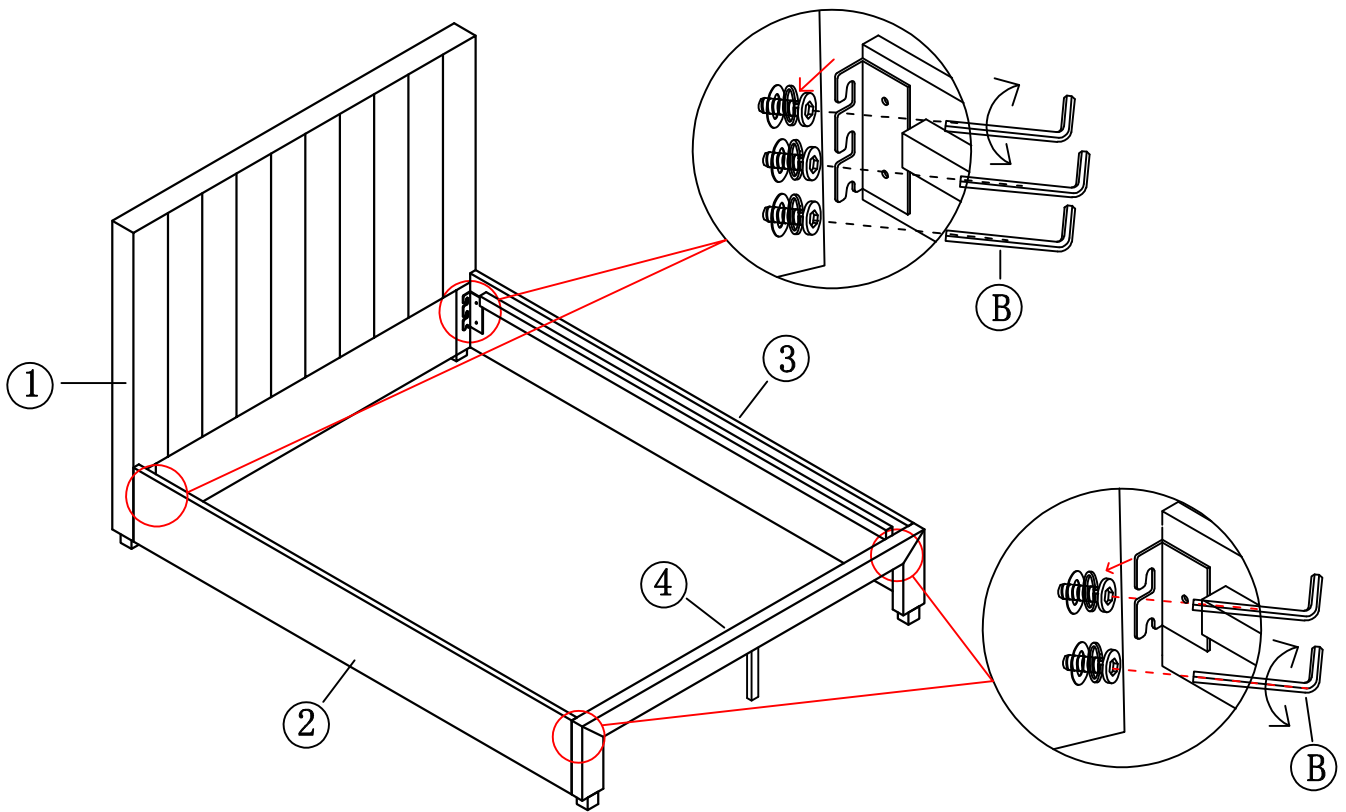
STEP 2

Align the leg (9) to the screw hole of the footboard (4) and tighten. Be careful to not over tighten leg. Attach Centre support leg(7)to footboard (4),using flat washer(A) and bolt(G)as shown below,then tighten with allen key(B).



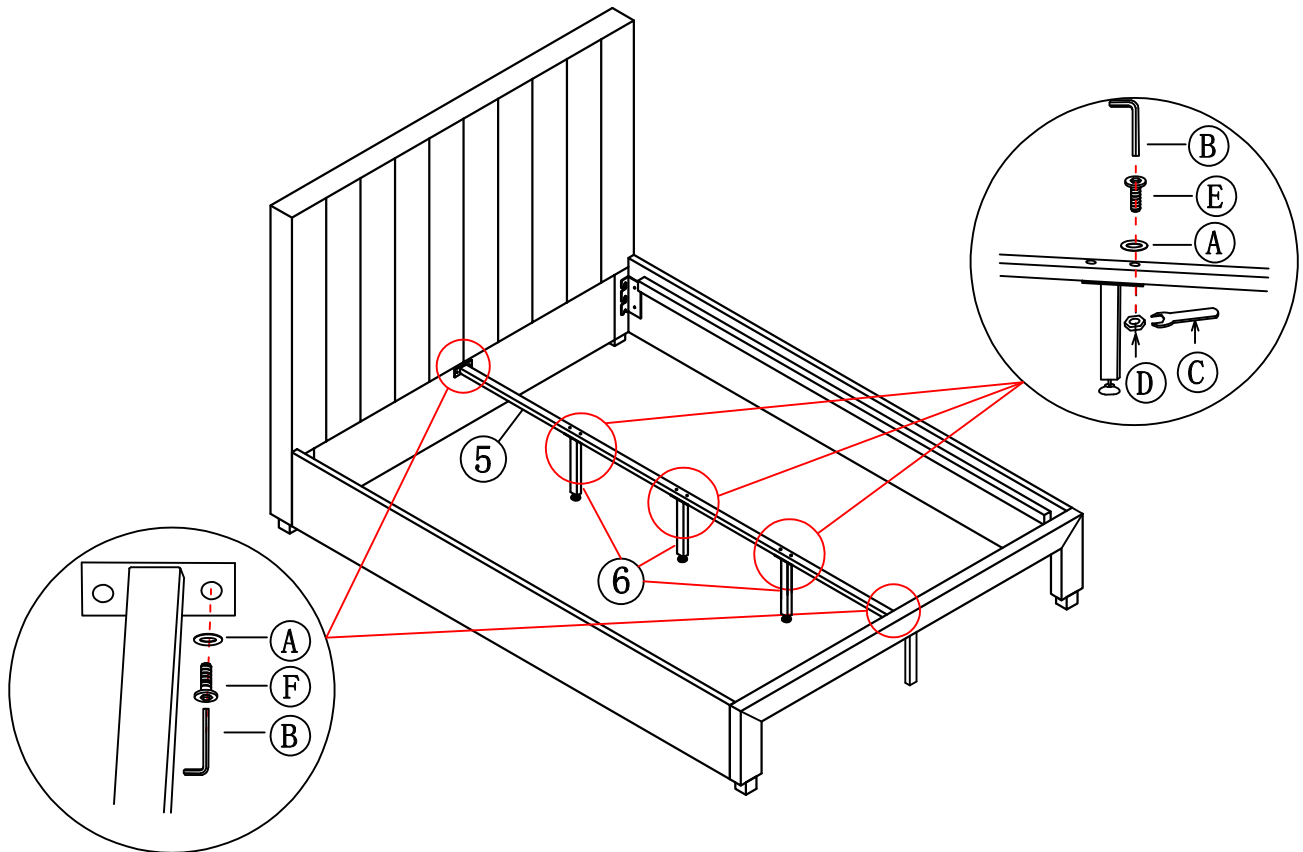
STEP 3

Attach Rails (2, 3) to Metal brackets on Headboard (1) and Footboard (4), then tighten with allen key (B).



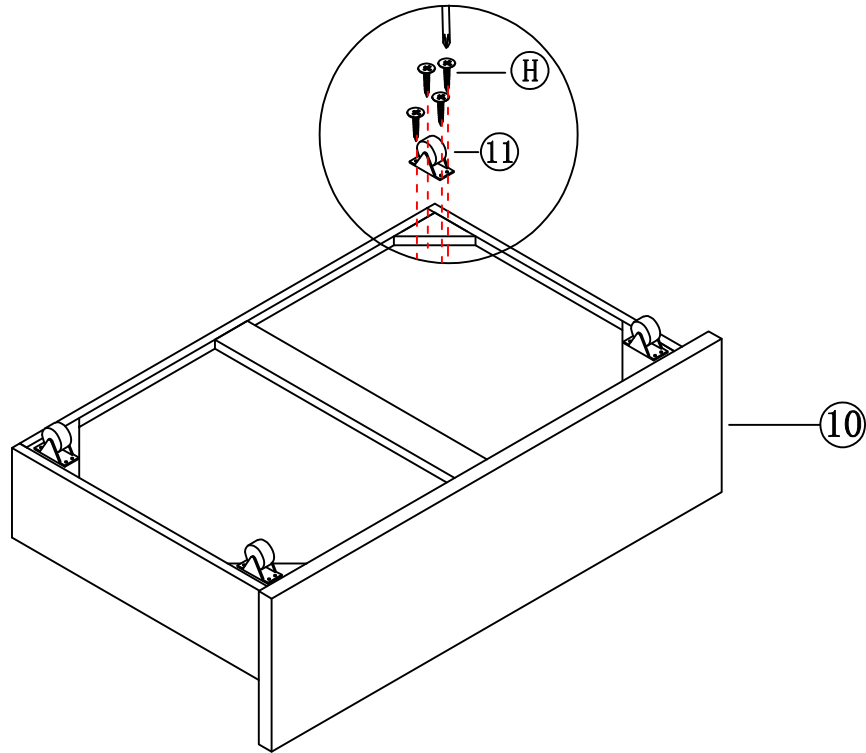
STEP 4

Attach Centre slat rail(5)to Headboard and Footboard,using flat washer(A) and bolt(F)as shown below,then tighten with allen key(B).
Attach Centre support legs(6)to centre slat rail(5),using flat washer(A)nut(D),and bolt(E)as shown below,then tighten with allen key(B)and wench(C).



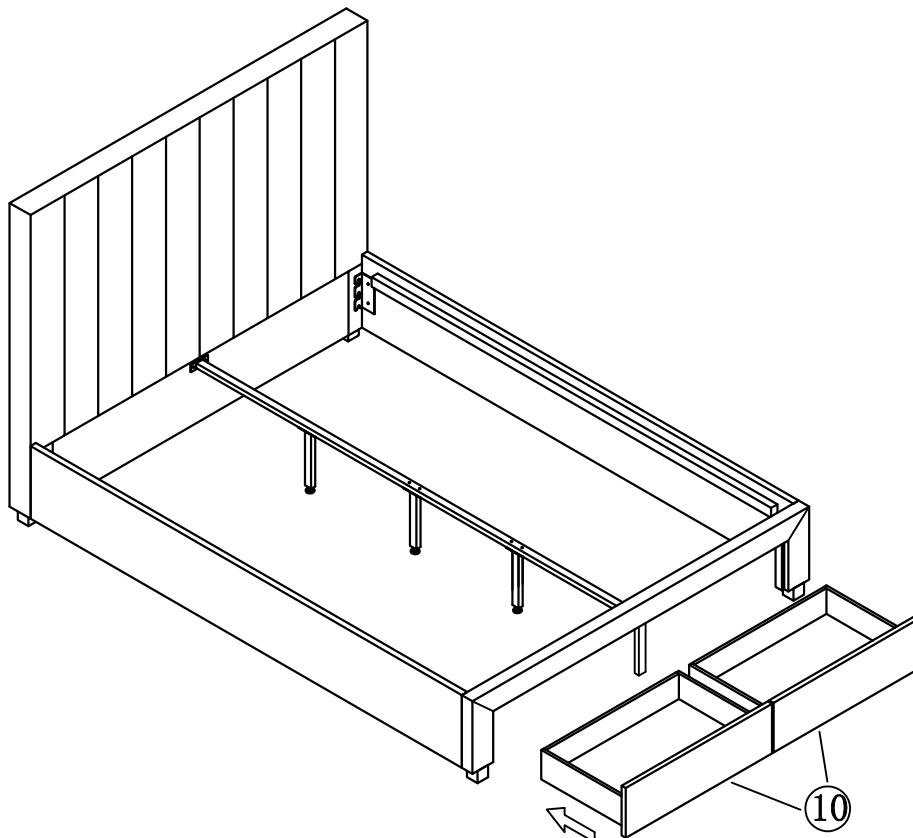
STEP 5

Attach Pulleys (11) to Drawers (10), using Screws (H) as shown below, then tighten with screwdriver .

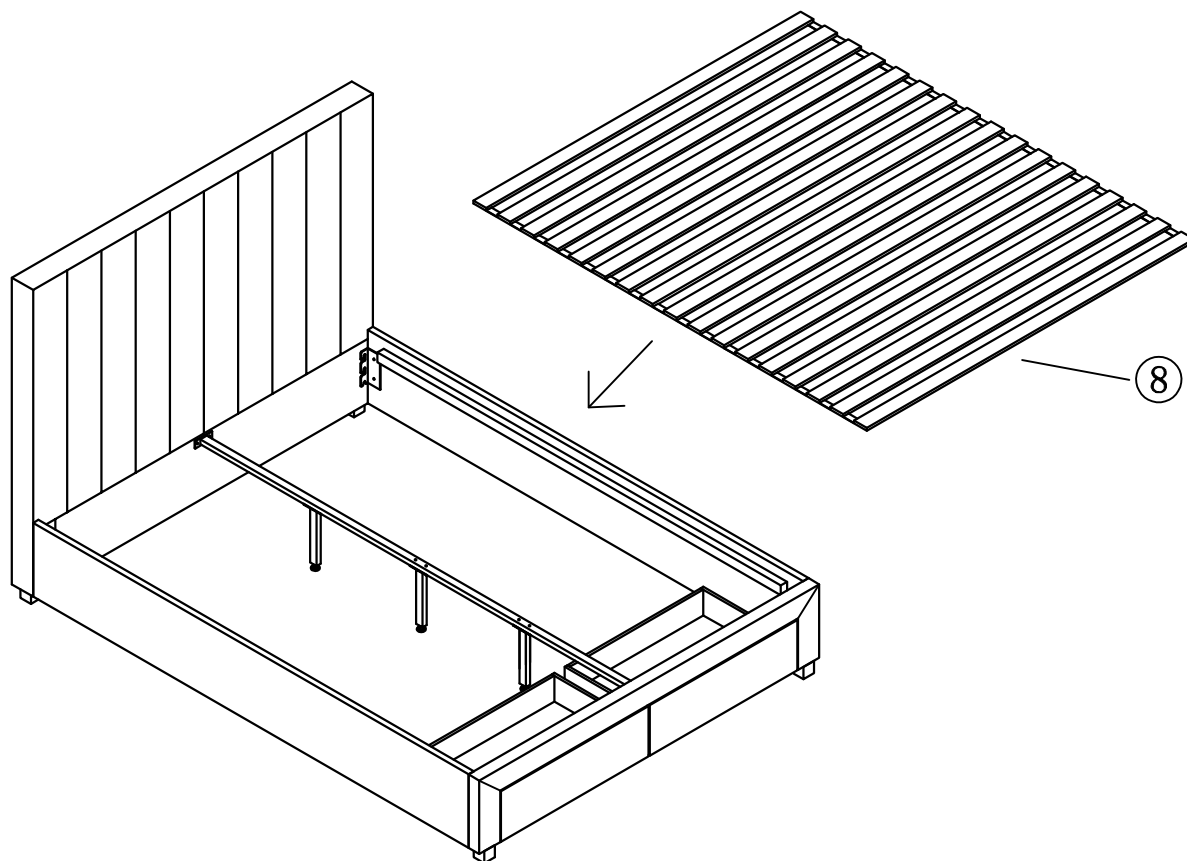


STEP 6

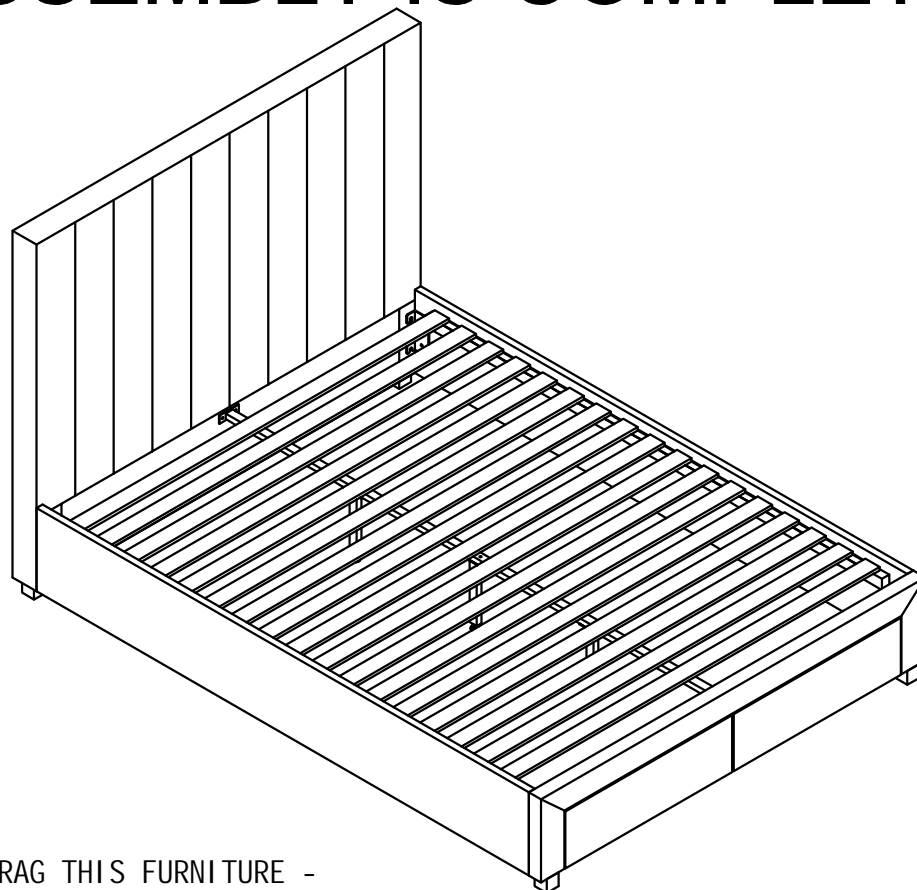
Insert the drawers



STEP 7



ASSEMBLY IS COMPLETE



DO NOT PUSH OR DRAG THIS FURNITURE -
IT WILL CAUSE DAMAGE TO THE LEGS

Fabric Care and Maintenance



REGULAR CARE:

- Protect from direct sunlight
- Vacuum regularly using low suction
- Rotate reversible cushions regularly

CLEANING:

- Do not remove cushion covers for separate cleaning even though they may have zippers
- Do not wash, Do not dry clean, Do not shampoo clean
- Clean with hot water extraction machine. Professional cleaning recommended
- Do not use dishwashing liquid or laundry detergent
- Use only upholstery detergents
- Do not wet filling
- Dry in shade away from direct heat and sunlight
- Allow to dry thoroughly before re-use

SPOT CLEANING:

- Do not rub
- Do not spot clean with any solvent
- Treat spills and stains as soon as possible
- Gently scrape off any soil or mop any liquid from the surface of the fabric
- Apply proprietary cleaning agents strictly according to instructions to remove the residue of the spill
- Do not saturate the fabric or interior with water or other cleaning liquids

WARNING:

Apply only water-based soil resist (fabric protection) treatments. Do not use aerosol products

* PILLING IS NOT A FABRIC DEFECT OR FAULT AND IS NOT COVERED BY WARRANTY

* PILLING IS A NORMAL OCCURRENCE CAUSED BY WEAR AND TEAR AND DOES NOT AFFECT THE DURABILITY OR FUNCTIONALITY OF THE FABRIC AND IS EASILY REMOVED